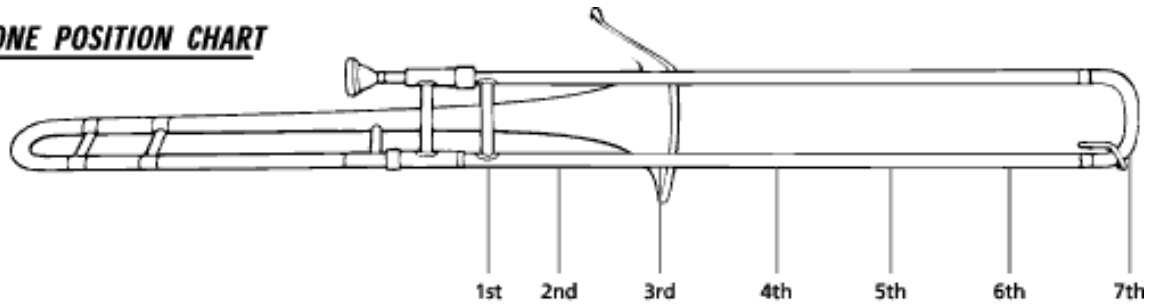


TROMBONE POSITION CHART



SLIDE POSITIONS

Numbers under notes indicate slide positions.

E F F# Gb G G# Ab

7 6 5 4 3

A A# Bb B C C# Db

2 1 7 6 5

D D# Eb E F F# Gb

4 3 2 1 or 6 5

G G# Ab A A# Bb B

4 3 2 1 or 5 4

C C# Db D D# Eb E F

3 2 1 or 4 3 2 1

F# Gb G G# Ab A Bb

3 2 1